

A 3 - 0 0 4 8 J

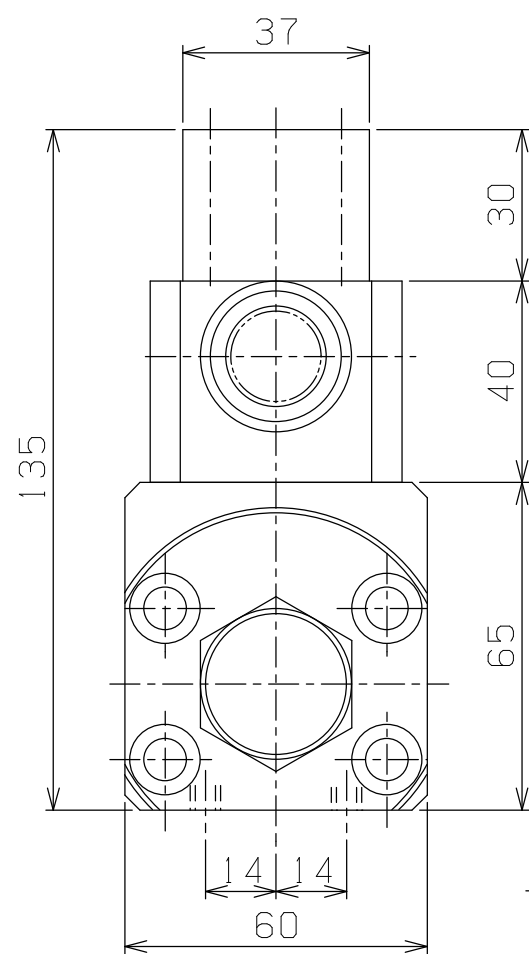
PRIMARY OIL PRESSURE
T-PORT (Rc3/8)

WATER SUCTION
SC-PORT (Rc1/4)

PRIMARY OIL PRESSURE
P-PORT (Rc1/4)

SECONDARY WATER
PRESSURE PH-PORT (Rc1/4)

SECONDARY CYLINDER



JOINT BLOCK

235

100.5

134.5

AUTOMATIC VALVE

PRIMARY CYLINDER

65

25

16

43

85

90

φ9

DR

64

MECHANICAL VALVE

4-M6TAPX8L

DRAIN PORT (Rc1/4)

S P E C	
MAX.PRIMARY PRESS,	8.5MPa
MAX.PRIMARY INFLOW	20L/min.
MAX.SECONDARY PRESS.	50MPa
MAX.SECONDARY INFLOW	3L/min.
PRESSURE RATIO	1 : 6
WEIGHT (ABOUT)	7.5kgG

PLAN RECORD	基本仕上	MARK	PARTICULAR	QUAN	MATERIAL	SIZE	WEIGHT	REMARK
	寸法許容差	C H I E F		SWB6-5Z-01				
	区分許容差	H E A D		HYDRAULIC BOOSTER PUMP				
	1 ~ 4 ±0.1	CHECKED BY		DRAWING NO. A 3 - 0 0 4 8 J				
	5 ~ 16 ±0.2	DRAWN BY						
	17 ~ 63 ±0.3	DATE DRAWN						
	64 ~ 250 ±0.5	SCALE 1 / 1.5						
	250~1000 ±0.8							

RIX リックス株式会社 RIX CORPRATION

記号
400S
100S
25S
6.3S
0.8S