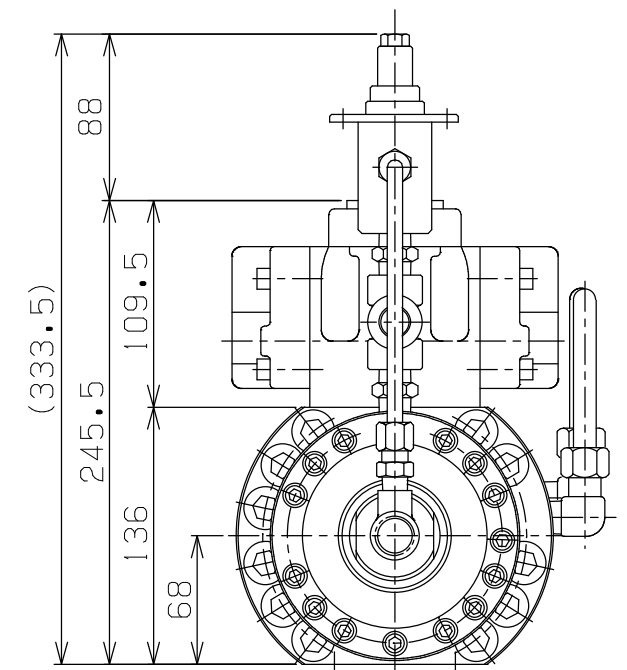
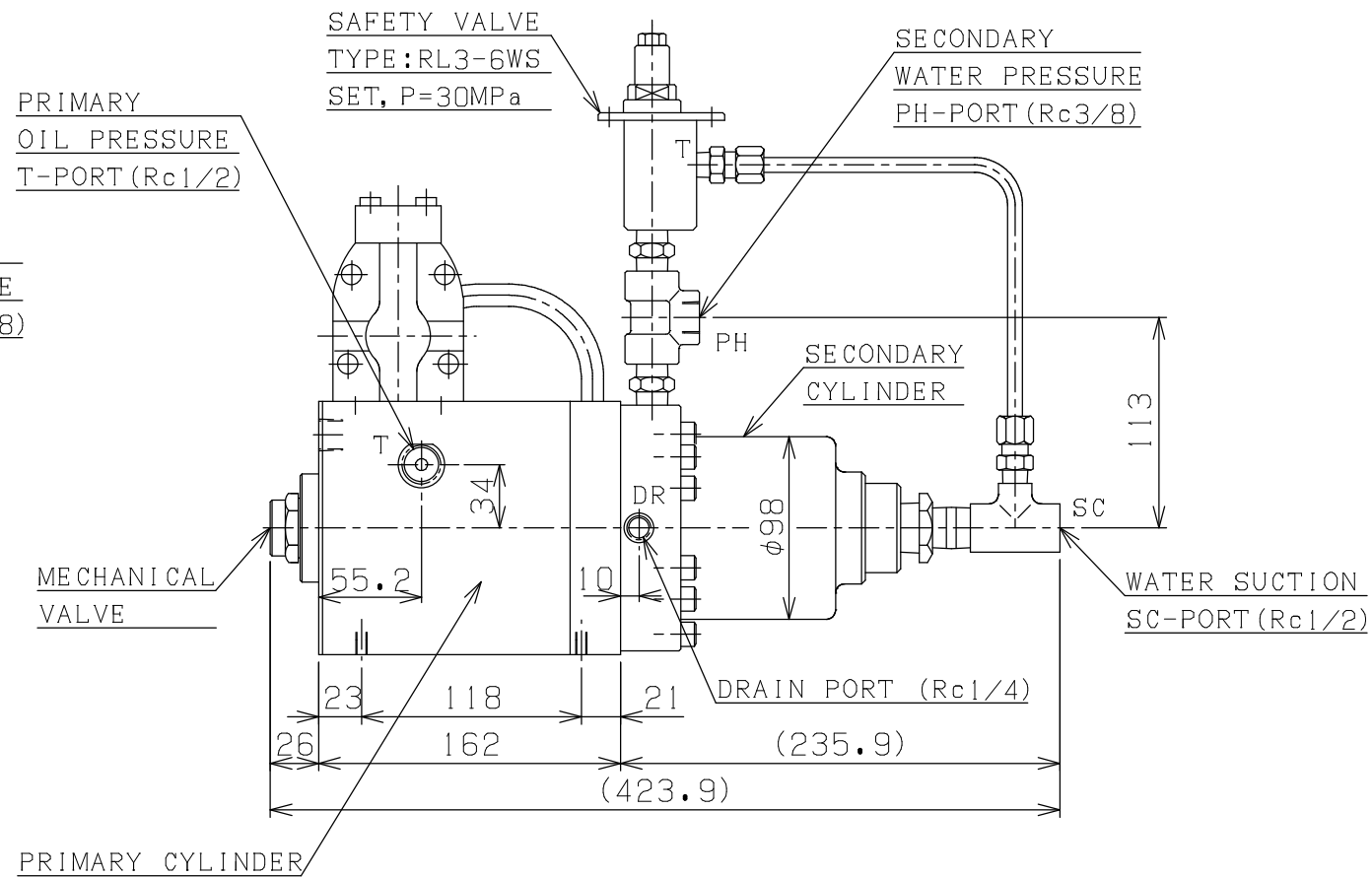
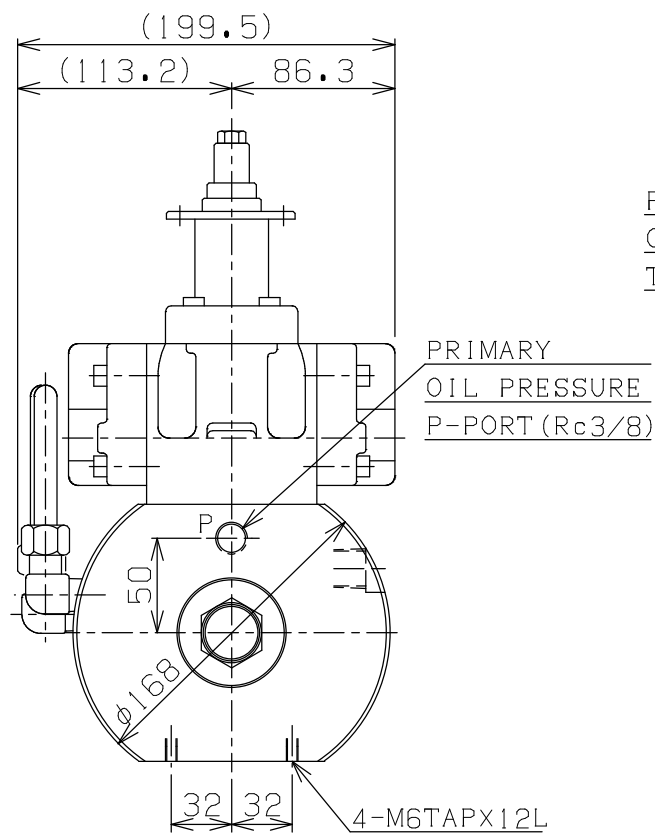
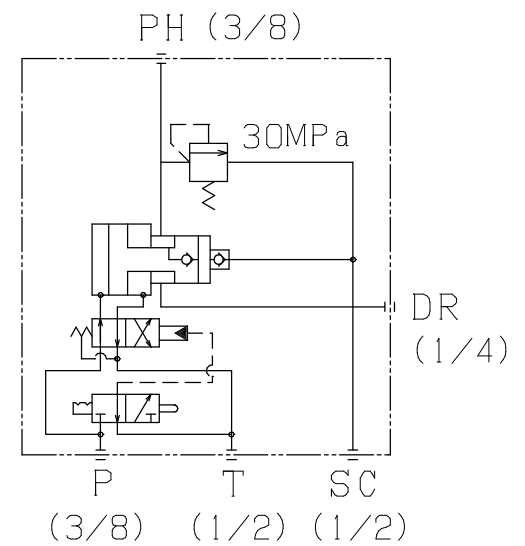
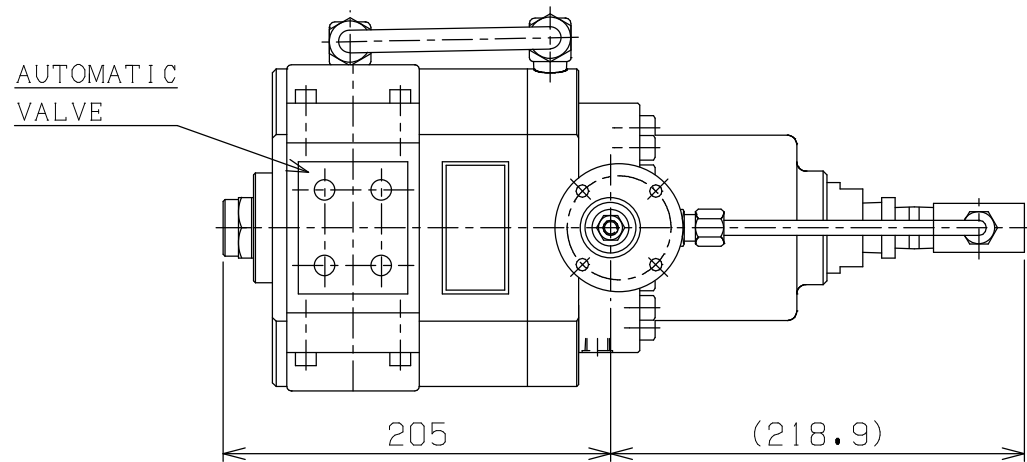


A3-1910D

SPECIFICATION	
MAX.PRIMARY PRESS,	14MPa
MAX.PRIMARY INFLOW	35L/min.
MAX.SECONDARY PRESS.	30MPa
MAX.SECONDARY INFLOW	7L/min.
PRESSURE RATIO	1 : 5
WEIGHT (ABOUT)	38kgG



PLAN RECORD	基本仕上	MARK	PARTICULAR	QUAN	MATERIAL	SIZE	WEIGHT	REMARK
	寸法許容差	C H I E F		SWB5-3Z-00・01				
	区分	許容差	H E A D					
	1 ~ 4	±0.1	CHECKED BY	HYDRAULIC BOOSTER PUMP				
	5 ~ 16	±0.2	DRAWN BY					
	17 ~ 63	±0.3	DATE DRAWN	DRAWING NO. A3-1910D				
	64 ~ 250	±0.5	SCALE					
	250~1000	±0.8						

RIX リックス株式会社 RIX CORPRATION

記号
400S
100S
25S
6.3S
0.8S