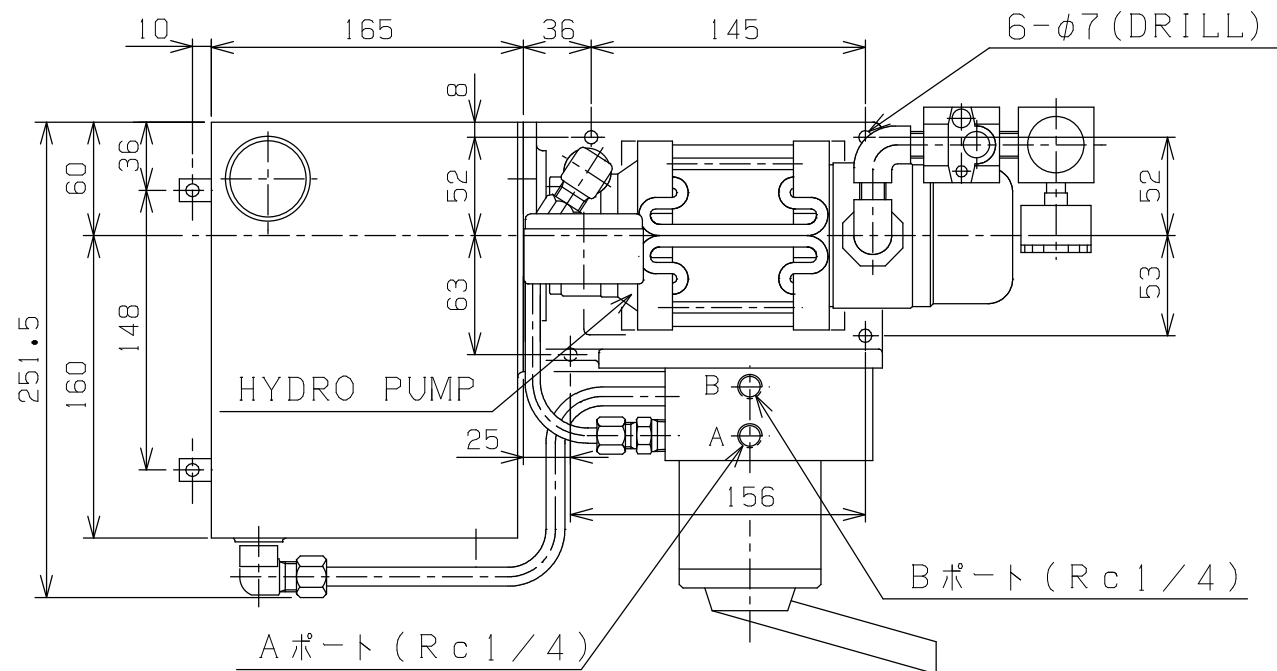
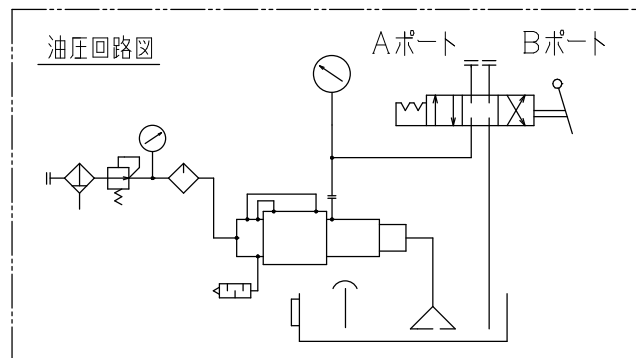
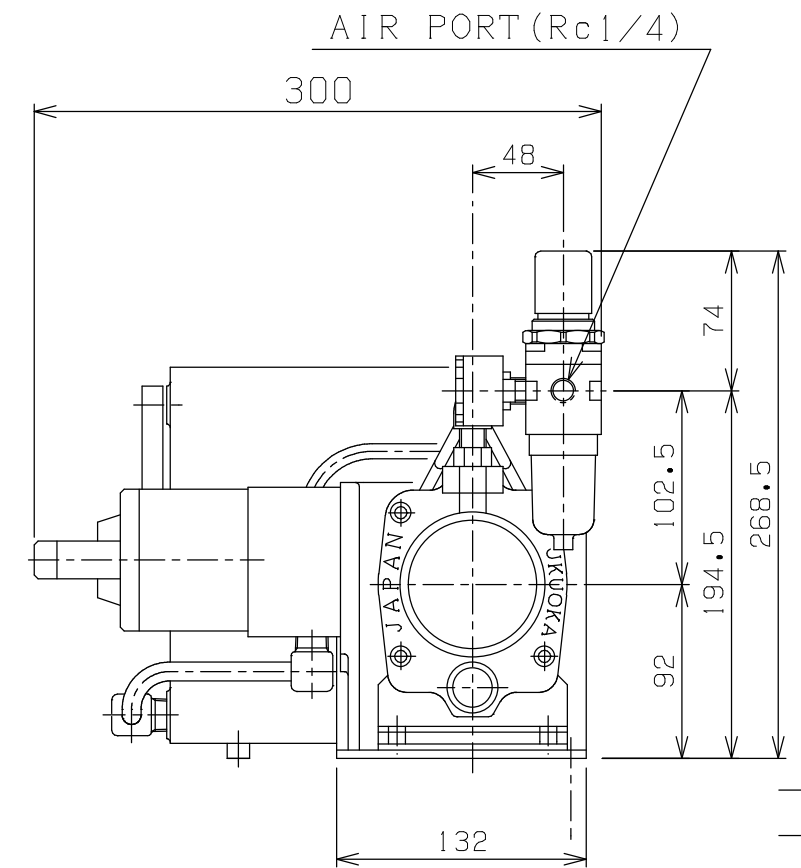
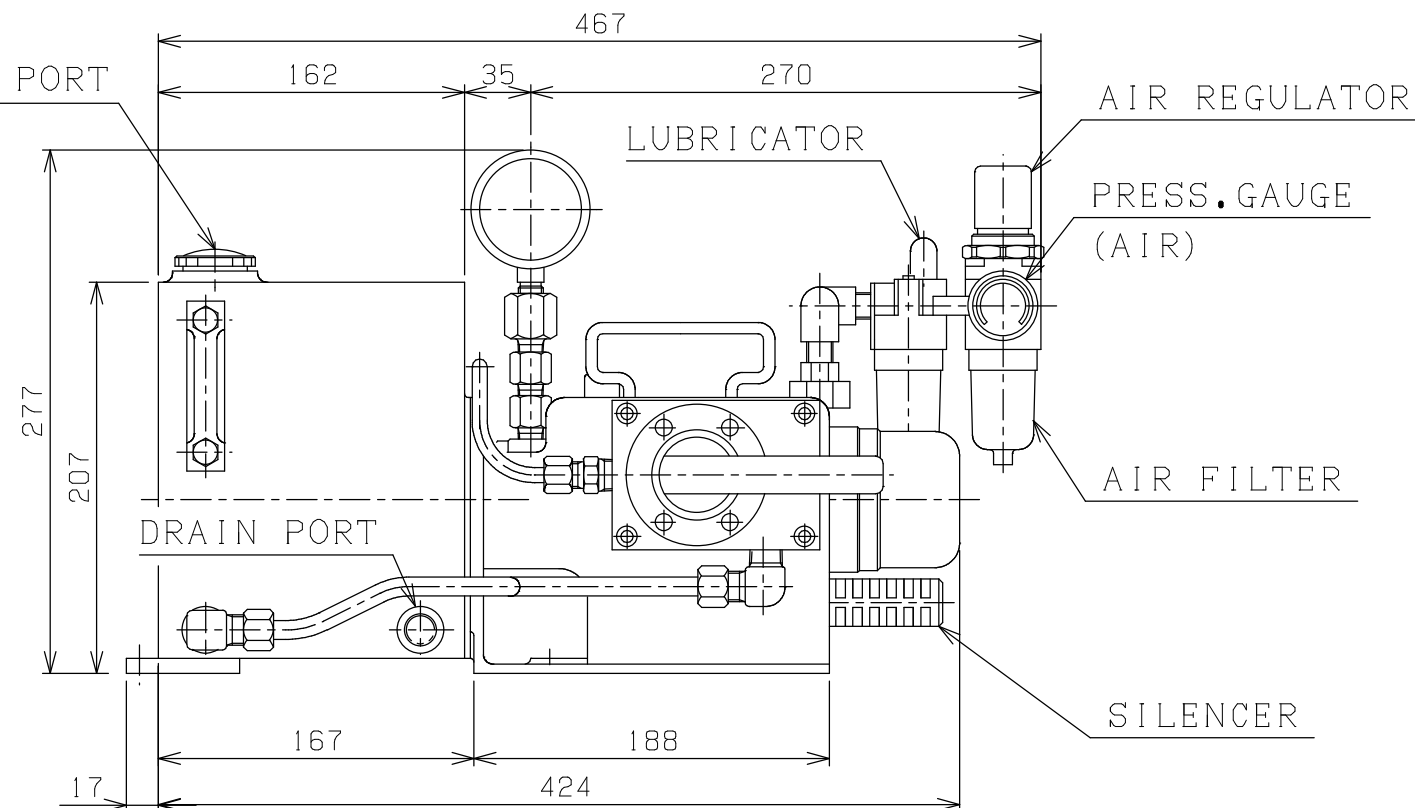
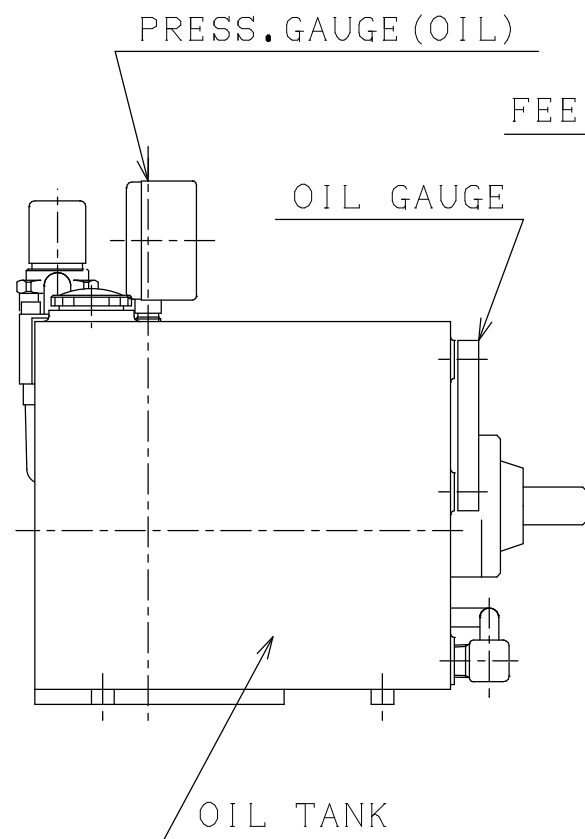


A 3 - 1 3 3 8 D



SPECIFICATION				
T Y P E	10-V5L	24-V5L	50-V5L	100-V5L
INCREASING RATIO	1:10	1:24	1:50	1:100
MAX. PRESSURE (OIL)	8MPa	19MPa	40MPa	70MPa
MAX. PRESSURE (AIR)	0.8MPa (8.0kgf/cm ²)			
AIR CAPACITY	2m ³ /min.			
WORKING FLUID	ISO VG22~46			
TANK CAPACITY	MAX.=5.0L EFFECTIVE=4.0L			
WEIGHT (APPROX)	17kg			



PLAN RECORD		基本仕上	MARK	PARTICULAR	QUAN	MATERIAL	SIZE	WEIGHT	REMARK
寸法許容差		C H I E F			M H P U ※ - V 5 L				
区分	許容差	H E A D			H Y D R O P U M P U N I T				
1 ~ 4	±0.1	CHECKED BY			D R A W I N G N O . A 3 - 1 3 3 8 D				
5 ~ 16	±0.2	DRAWN BY							
17 ~ 63	±0.3	DATE DRAWN							
64 ~ 250	±0.5	SCALE			1 / 4				
250~1000	±0.8								

RIX リックス株式会社 RIX CORPRATION

記号
400S
100S
25S
6.3S
0.8S