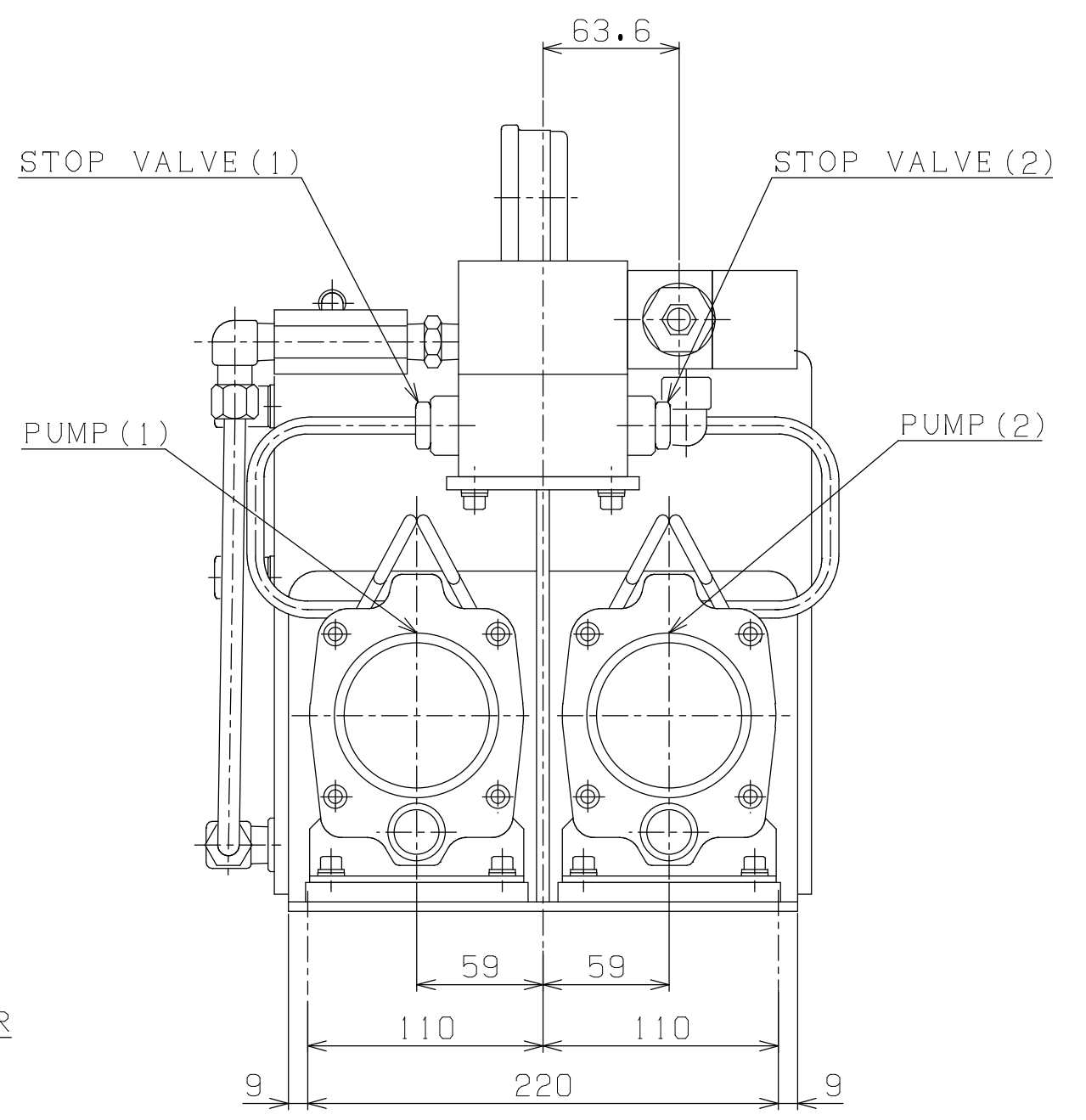
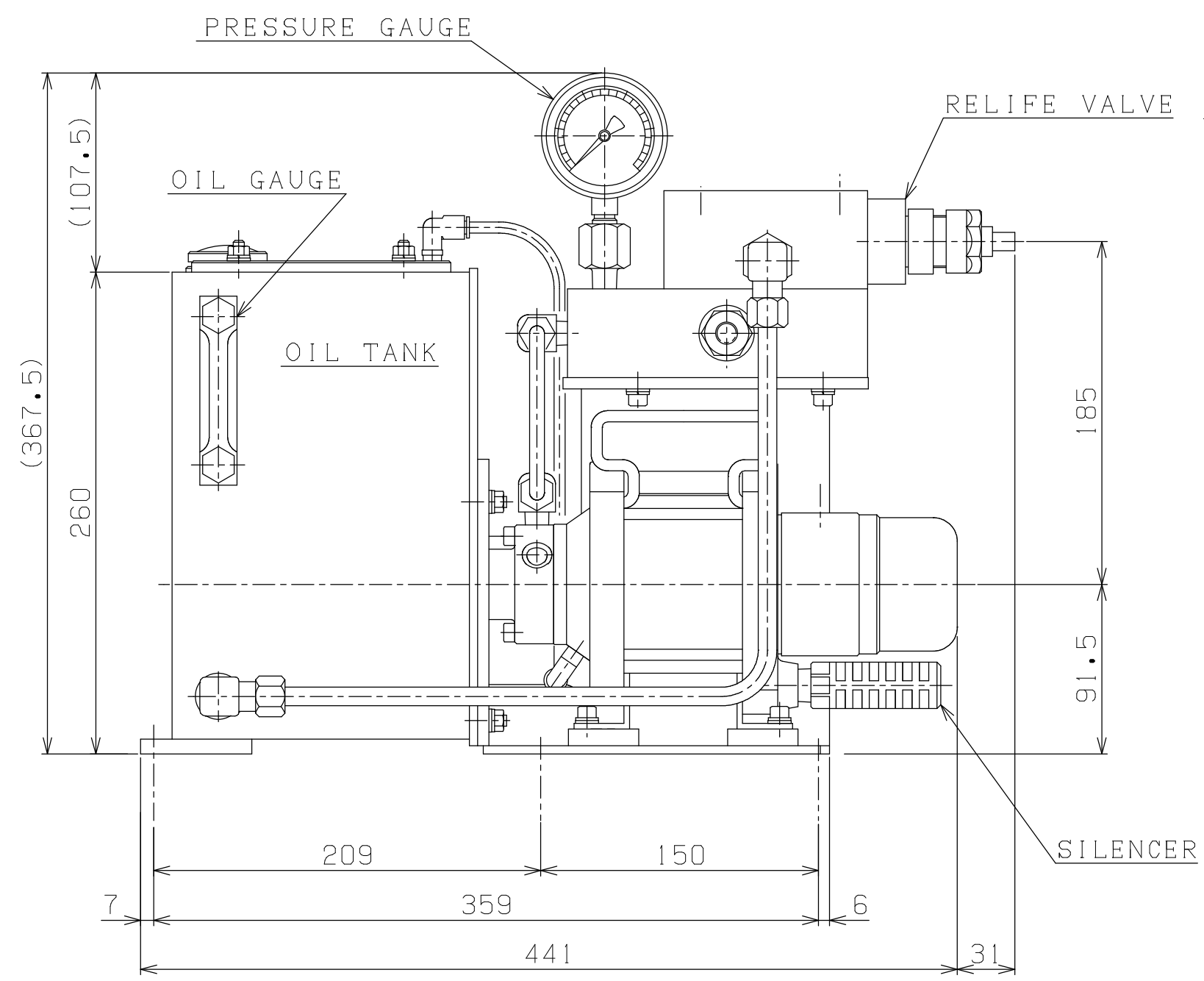
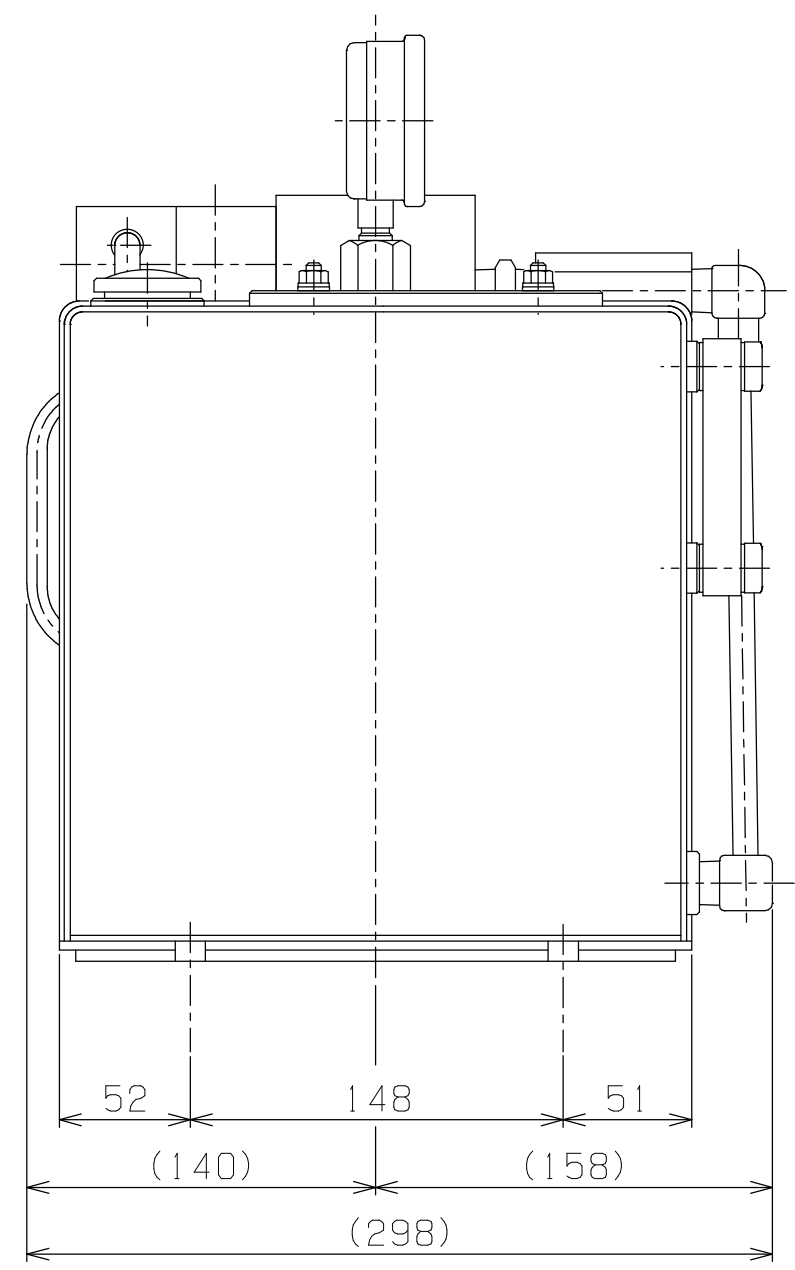


SPECIFICATION	
MAX. PRESS. (HYDRO)	18.6 MPa (190kgf/cm ²)
MAX. PRESS. (AIR)	0.8 MPa (8.0kgf/cm ²)
AIR CONSUMPTION	2m ³ /min.
INCREASING RATIO	1:24
DISCHARGE PERFORMANCE CURVE	
PRESSURE	0.35MPa (T-PORT CHECK)
WORKING FLUID	ISO VG15~46
TANK CAPACITY	MAX.=8.0L EFFECTIVE=6.0L
WEIGHT	32kgG (EXCEPT OIL)



PLAN RECORD	基本仕上	MARK	PARTICULAR	QUAN	MATERIAL	SIZE	WEIGHT	REMARK
	寸法許容差	CHIEF			MHPU2424-R8LC			
	区分許容差	HEAD			HYDRO PUMP UNIT			
	1~4 ±0.1	CHECKED BY			DRAWING NO. A2-0411B			
	5~16 ±0.2	DRAWN BY						
	17~63 ±0.3	DATE DRAWN						
	64~250 ±0.5	SCALE	1/3					
	250~1000 ±0.8							

記号
400S
100S
25S
6.3S
0.8S