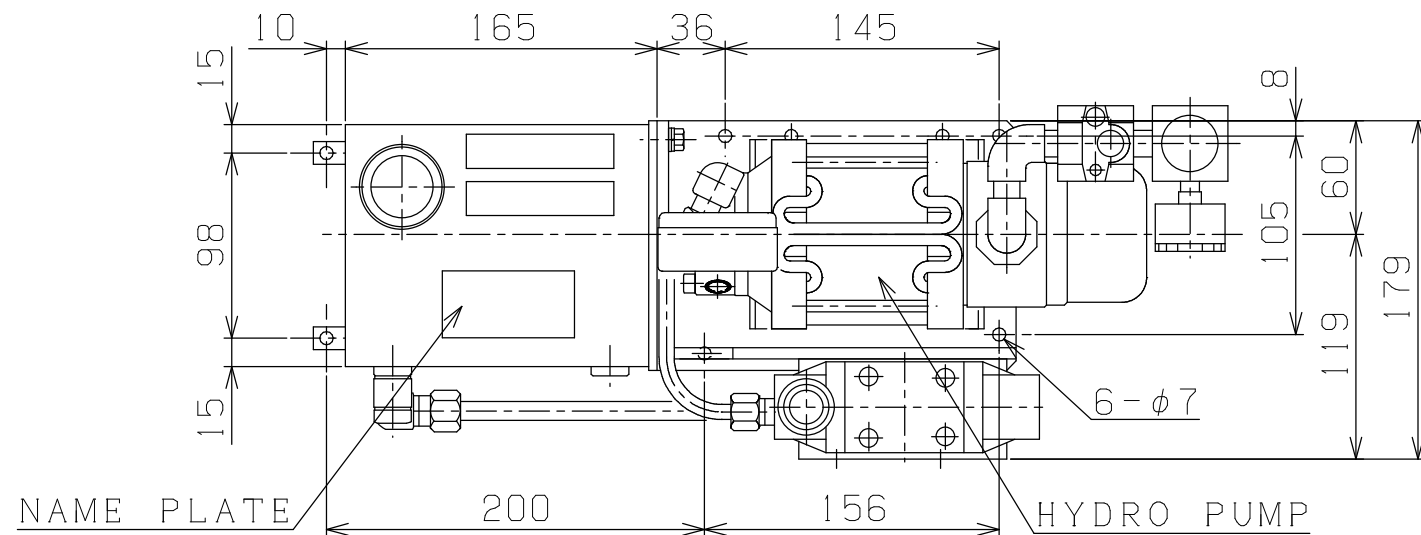
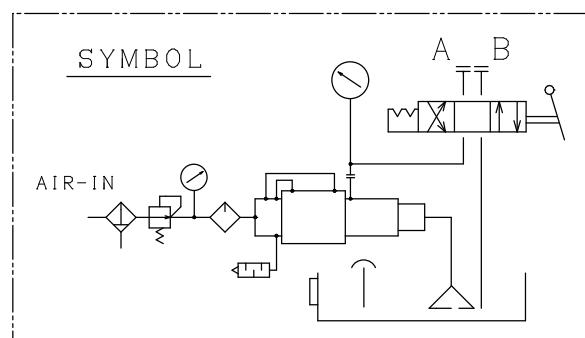
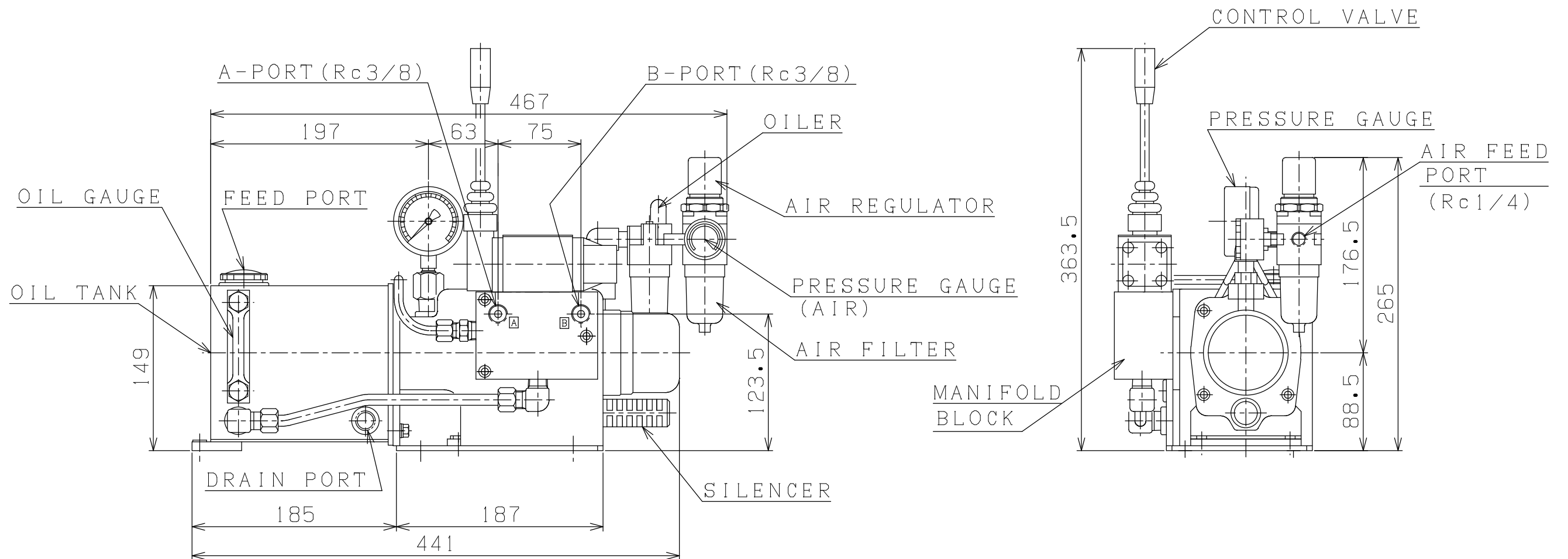


A 3 - 1 5 8 5 D



SPECIFICATION	
MAX. PRESSURE (OIL)	19 MPa (190kgf/cm ²)
MAX. PRESSURE (AIR)	0.8 MPa (8.0kgf/cm ²)
AIR CAPACITY	1.2 m ³ /min.
INCREASING RATIO	1:24
DISCHARGE	HYDRO PUMP PERF. CURVE
WORKING FLUID	ISO VG15~46
TANK CAPACITY	MAX.=2.4L EFFECTIVE=1.5L
WEIGHT (APPROX)	14 kg G



PLAN RECORD	基本仕上	MARK	PARTICULAR	QUAN	MATERIAL	SIZE	WEIGHT	REMARK
	寸法許容差	C H I E F		M H P U 2 4 - V 2 L				
	区分許容差	H E A D		H Y D R O P U M P U N I T				
	1 ~ 4 ±0.1	CHECKED BY		D R A W I N G N O . A 3 - 1 5 8 5 D				
	5 ~ 16 ±0.2	DRAWN BY						
	17 ~ 63 ±0.3	DATE DRAWN						
	64 ~ 250 ±0.5	SCALE 1 / 4						
	250~1000 ±0.8							

RIX リックス株式会社 RIX CORPRATION

記号
400S
100S
25S
6.3S
0.8S