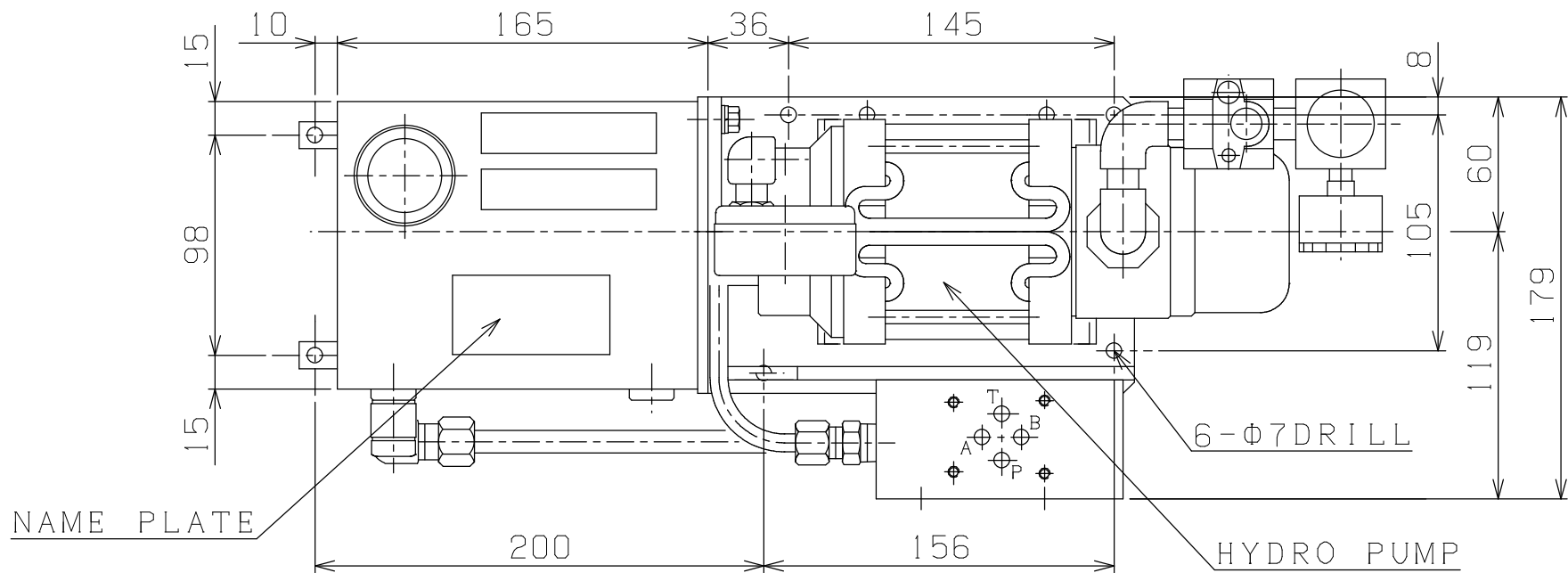
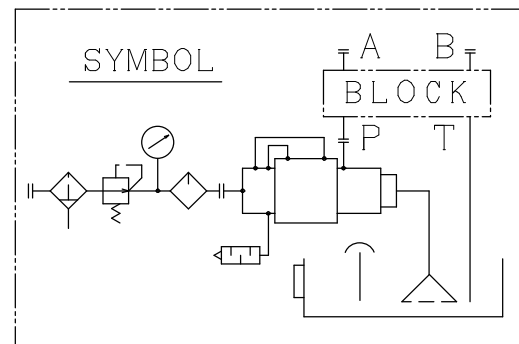
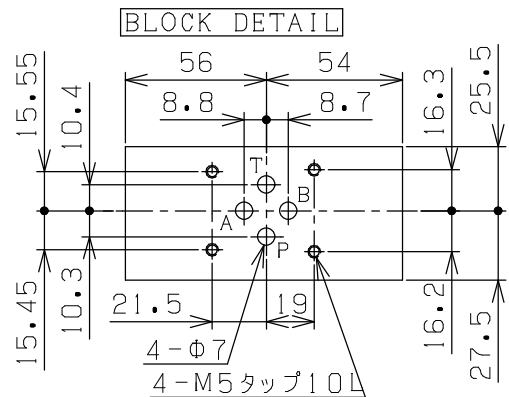
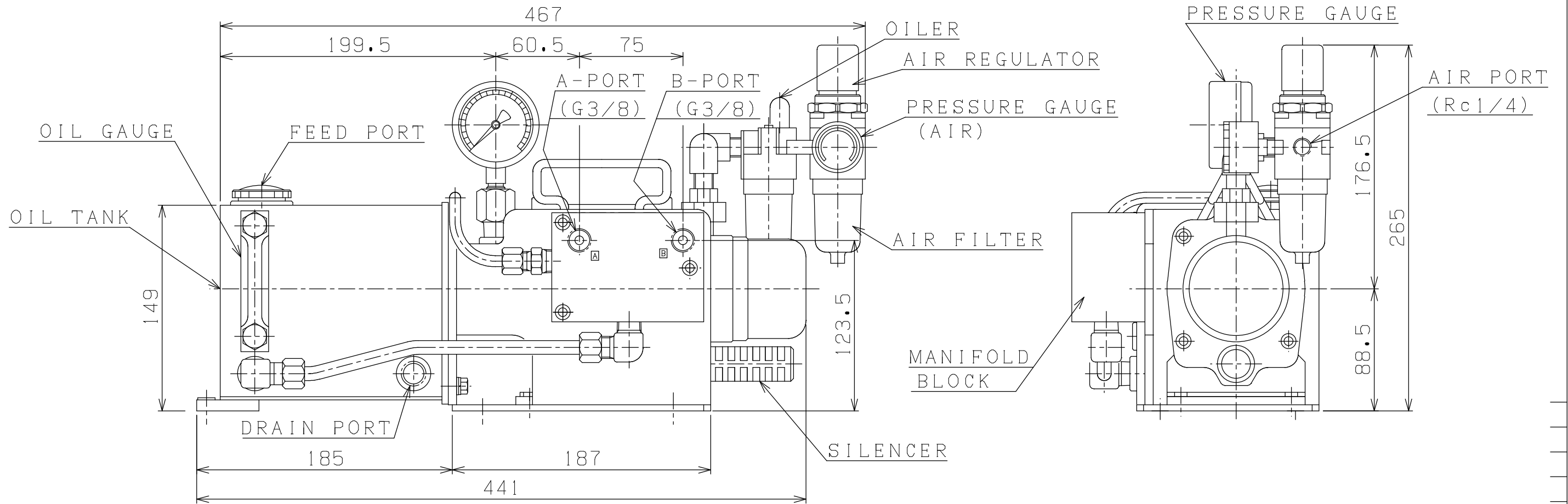


V3-1585A



SPECIFICATION	
MAX. PRESSURE (OIL)	19 MPa (190kgf/cm ²)
MAX. PRESSURE (AIR)	0.8 MPa (8.0kgf/cm ²)
AIR CAPACITY	1.2 m ³ /min.
INCREASING RATIO	1:24
DISCHARGE	HYDRO PUMP PERF. CURVE
WORKING FLUID	ISO VG15~46
TANK CAPACITY	MAX.=2.4L EFFECTIVE=1.5L
WEIGHT (APPROX)	14 kg



PLAN RECORD		基本仕上	MARK	PARTICULAR	QUAN	MATERIAL	SIZE	WEIGHT	REMARK
寸法許容差		C H I E F			MHPU24-N2L				
区分		許容差			H E A D				
1 ~ 4		±0.1			CHECKED BY				
5 ~ 16		±0.2			DRAWN BY				
17 ~ 63		±0.3			DATE DRAWN				
64 ~ 250		±0.5			SCALE 1 / 3				
250~1000		±0.8			DRAWING NO. A3-1585A				



リックス株式会社 RIX CORPORATION

記号
400S
100S
25S
6.3S
0.8S