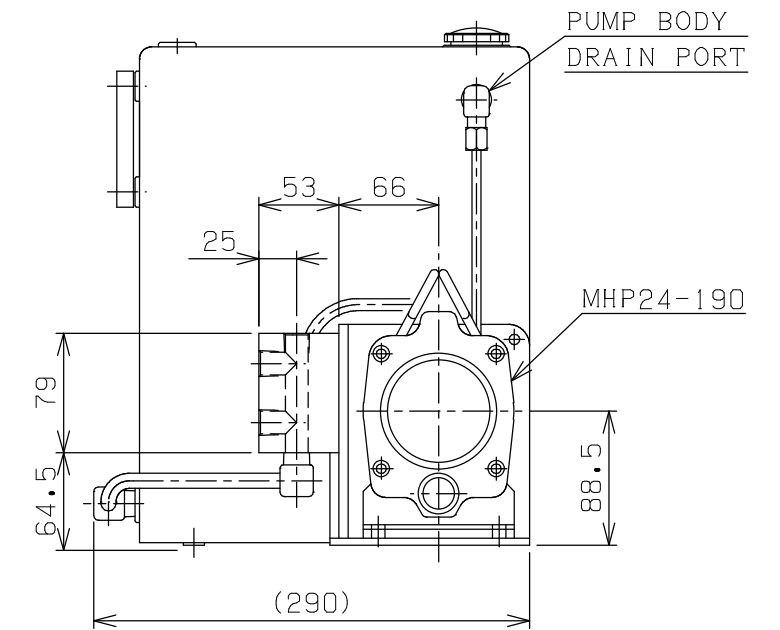
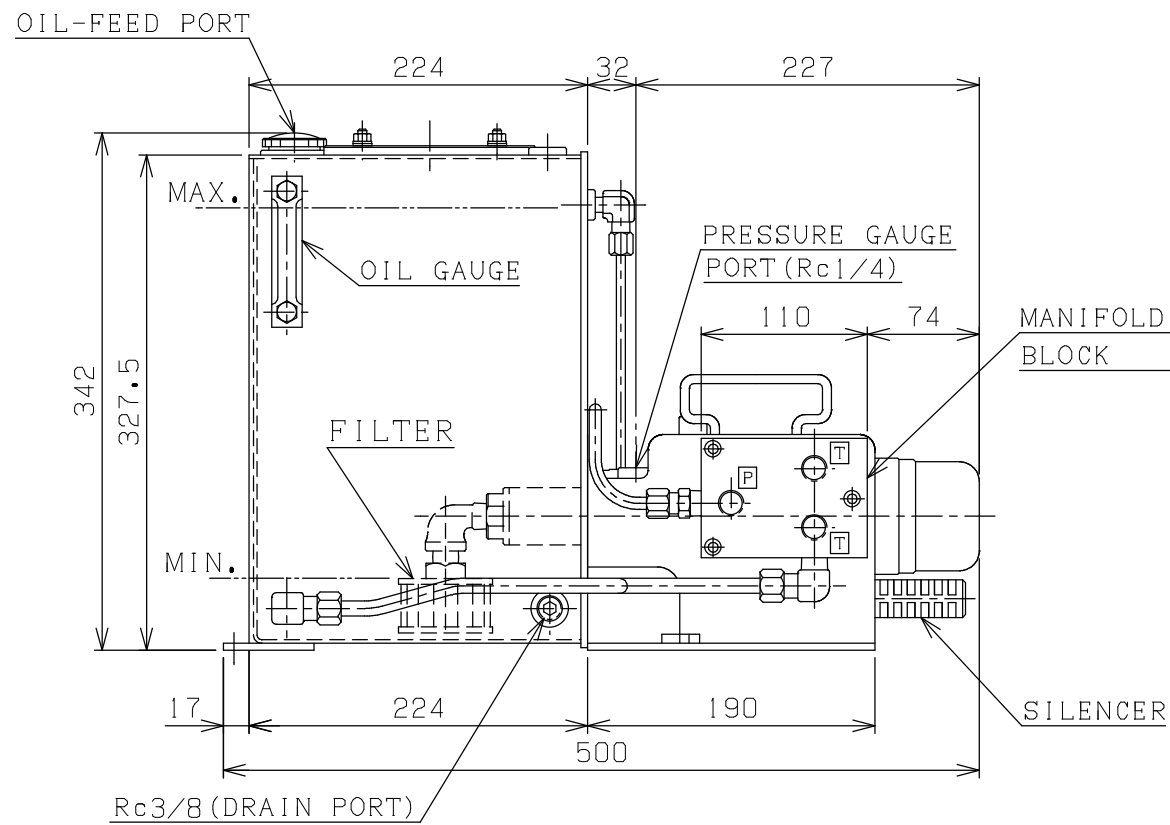
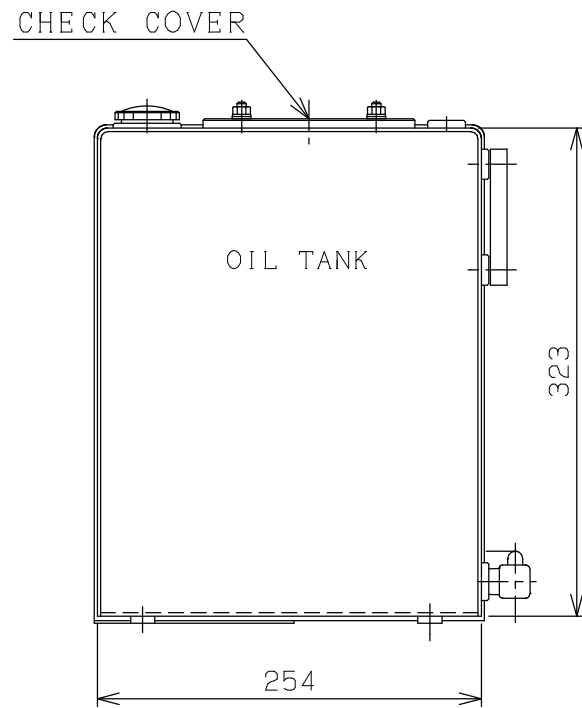
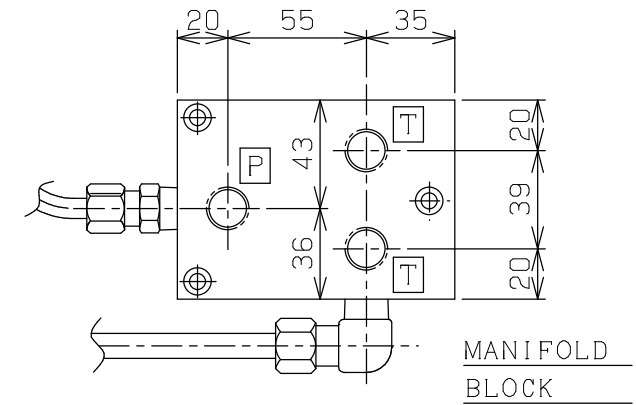
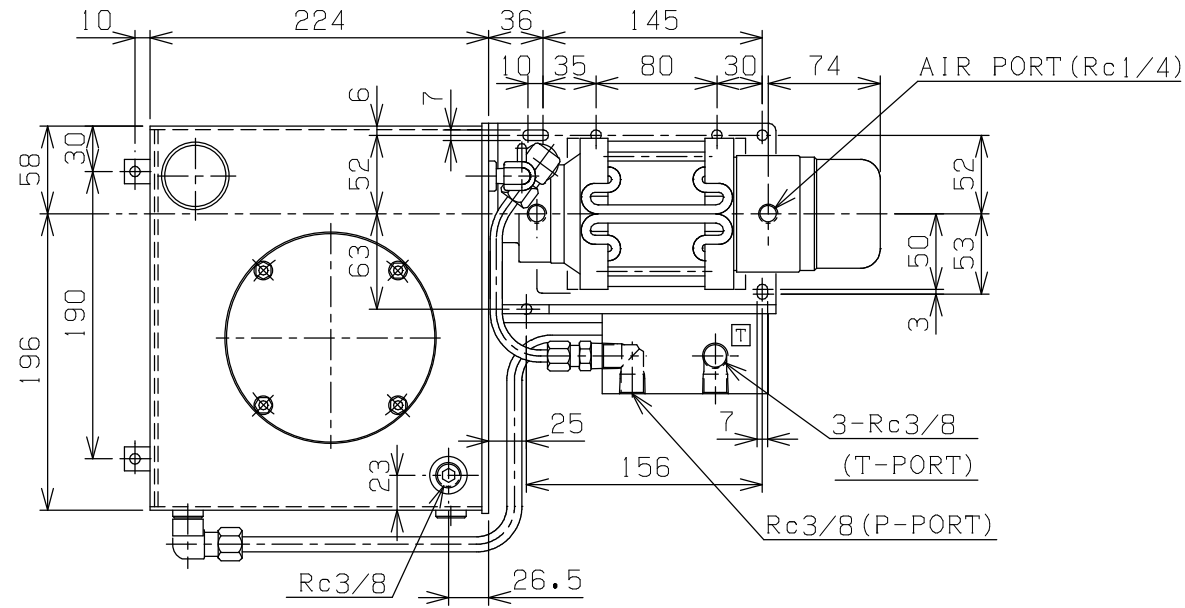
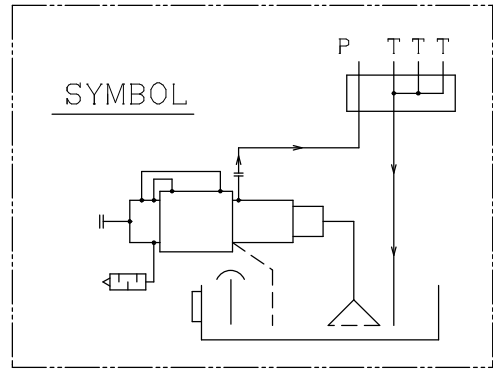


A 3 - 1 3 3 8 J



SPECIFICATION	
MAX. PRESSURE (OIL)	19.0 MPa
MAX. PRESSURE (AIR)	0.8 MPa
AIR CAPACITY	2 m ³ /min. (MAX.)
INCREASING RATIO	1:24
DISCHARGE	HYDRO PUMP PERF. CURVE
WORKING FLUID	ISO VG22~46
TANK CAPACITY	MAX.=17L EFFECTIVE=13L
WEIGHT (APPROX)	22 kg G

PLAN RECORD	基本仕上	MARK	PARTICULAR	QUAN	MATERIAL	SIZE	WEIGHT	REMARK
	寸法許容差	C H I E F		MHPU24-N13L-F HYDRO PUMP UNIT				
	区分許容差	H E A D						
	1 ~ 4	±0.1	CHECKED BY	DRAWING NO. A 3 - 1 3 3 8 J				
	5 ~ 16	±0.2	DRAWN BY					
	17 ~ 63	±0.3	DATE DRAWN					
	64 ~ 250	±0.5	SCALE 1/4					
	250~1000	±0.8						

RIX リックス株式会社 RIX CORPRATION

記号
400S
100S
25S
6.3S
0.8S