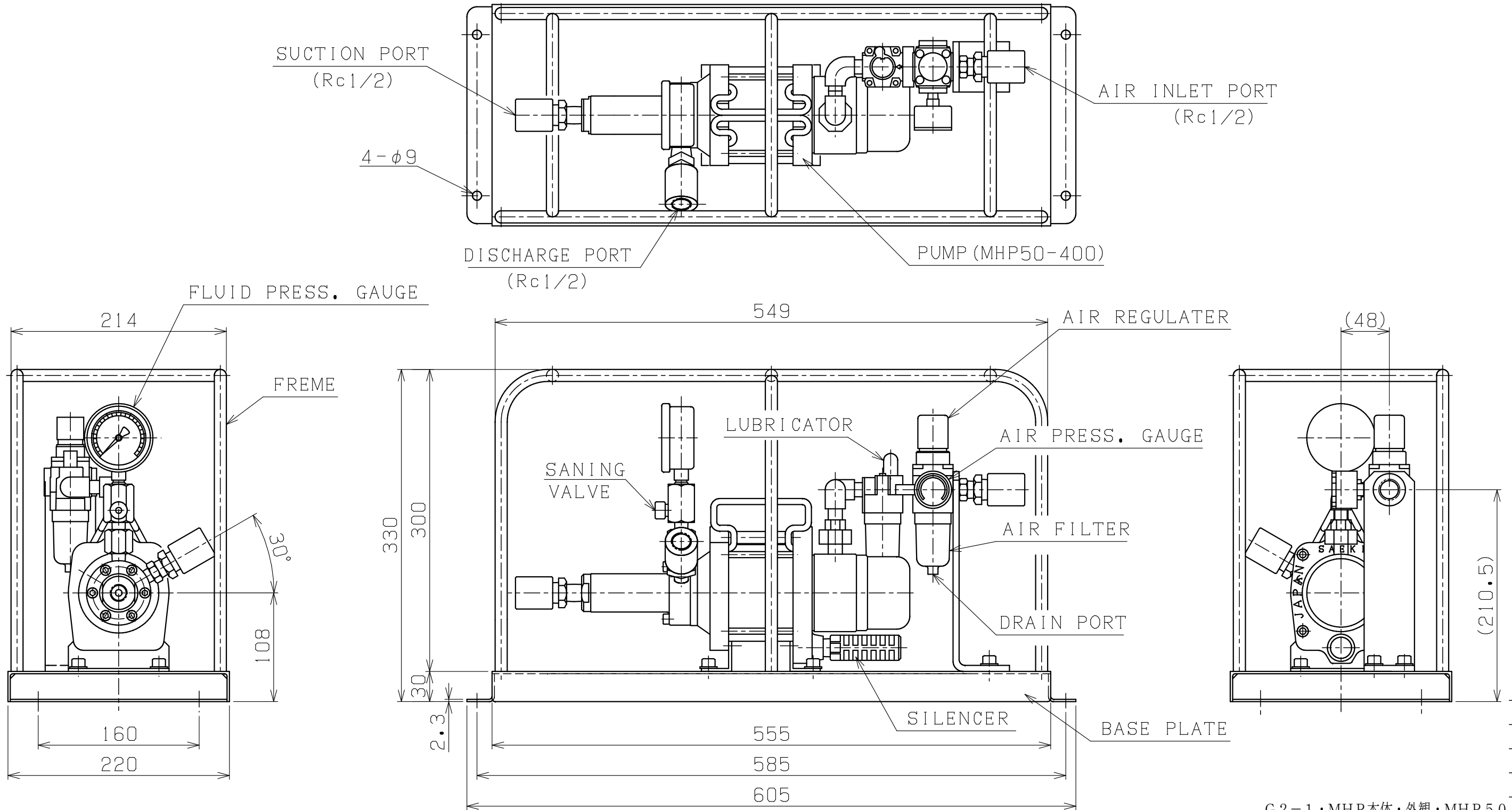


A3-1383D



G2-1・MHP本体・外観・MHP50

SPECIFICATION	
MODEL	MHP50-400
INTENSIFYING RATIO	1:50
AIR CONSUMPTION	1.2 (m3/min)
MAX. PRESSURE	40MPa
WEIGHT	△11.0±0.0kgG

PLAN RECORD	基本仕上	MARK	PARTICULAR	QUAN	MATERIAL	SIZE	WEIGHT	REMARK
△1 実測ニヨル 2019-8-9								
△2 納入機種番号追加 2019-10-30	寸法許容差	C H I E F		MHP50-400 (FRAME) △No2 HYDRO PUMP				
	区分 許容差	H E A D						
	1 ~ 4 ±0.1	CHECKED BY						
	5 ~ 16 ±0.2	DRAWN BY						
	17 ~ 63 ±0.3	DATE DRAWN						
	64 ~ 250 ±0.5	SCALE 1 / 4		DRAWING NO.	A3-1383D			
	250~1000 ±0.8							

RIX リックス株式会社 RIX CORPORATION

記号
400S
100S
25S
6.3S
0.8S