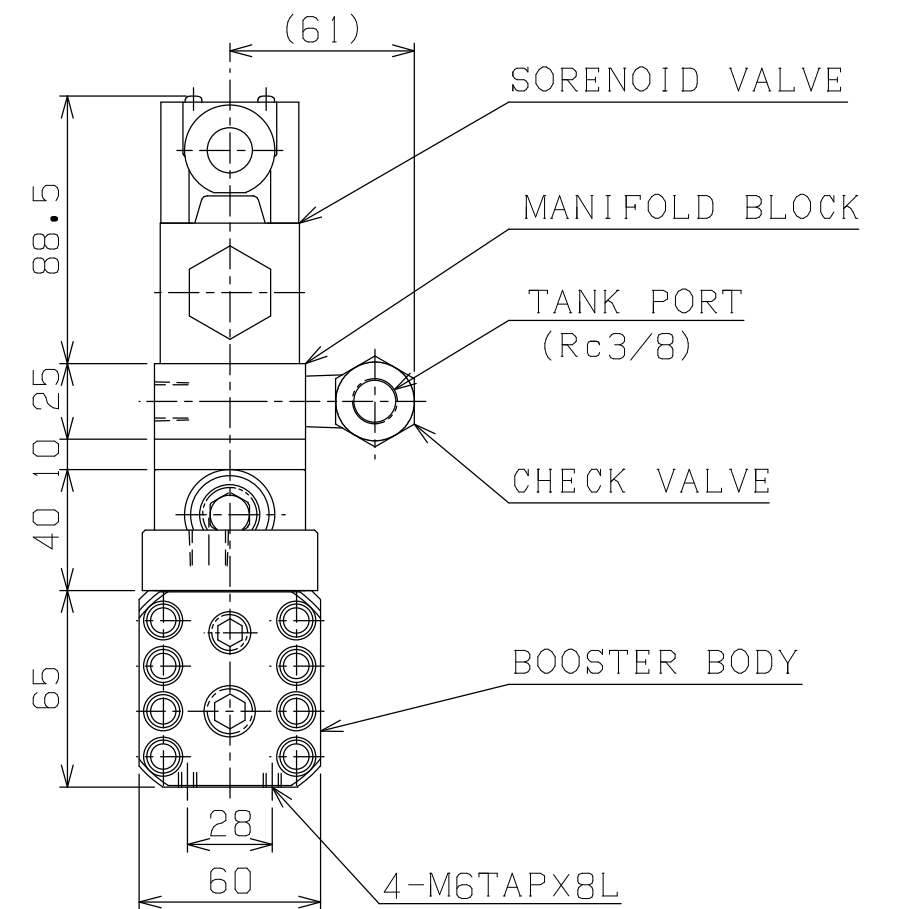
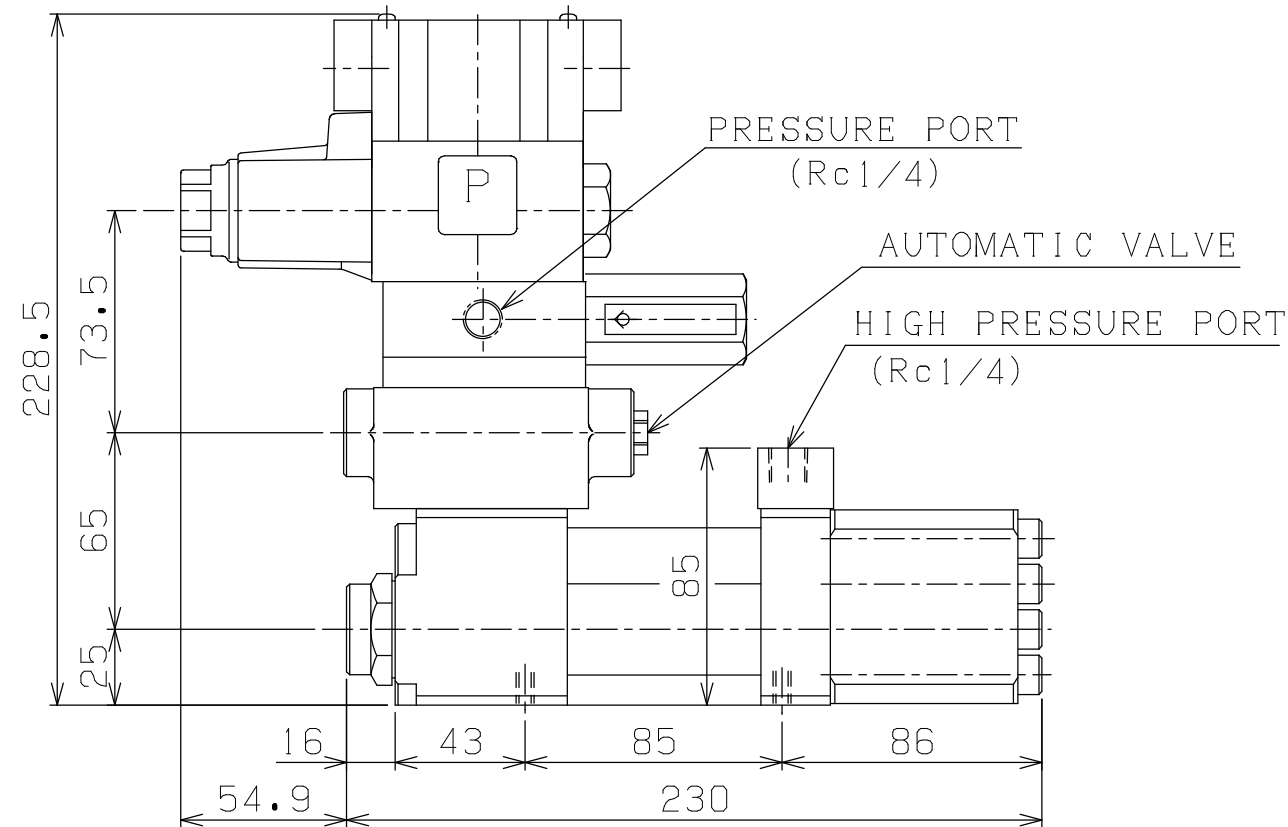
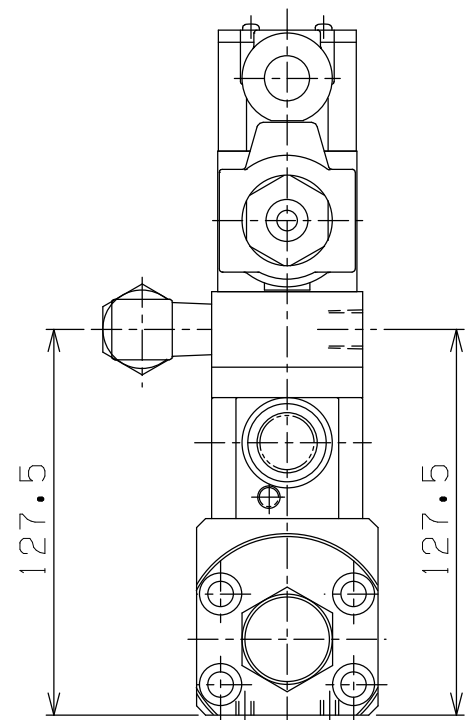
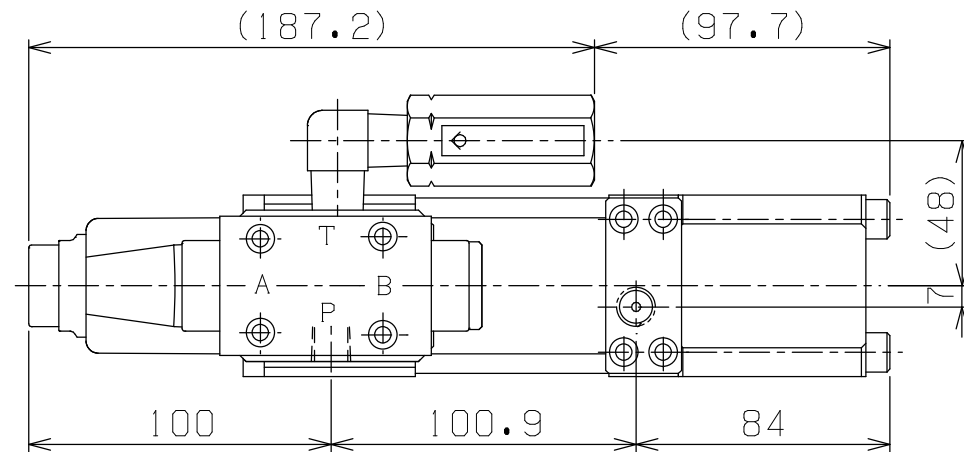


V0961-3A

No	SORENOID VALVE
1	DSG-01-2B4B-A100-70



SPECIFICATION	
MAX. SECONDARY PRESS.	70 MPa
MAX. PRIMARY INFLOW	20 L/min.
PRESSURE RATIO	1 : 6
WEIGHT (ABOUT)	9 kgG

PLAN RECORD	基本仕上	MARK	PARTICULAR	QUAN	MATERIAL	SIZE	WEIGHT	REMARK
	寸法許容差	C H I E F		HB6-7TSV				
	区分許容差	H E A D		HYDRO BOOSTER UNIT				
	1 ~ 4 ±0.1	CHECKED BY		DRAWING NO. A3-1960A				
	5 ~ 16 ±0.2	DRAWN BY						
	17 ~ 63 ±0.3	DATE DRAWN						
	64 ~ 250 ±0.5	SCALE						
	250~1000 ±0.8							

RIX リックス株式会社 RIX CORPRATION

記号
400S
100S
25S
6.3S
0.8S