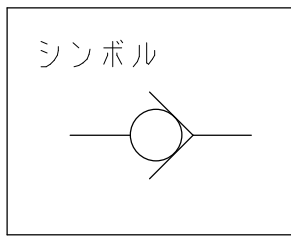
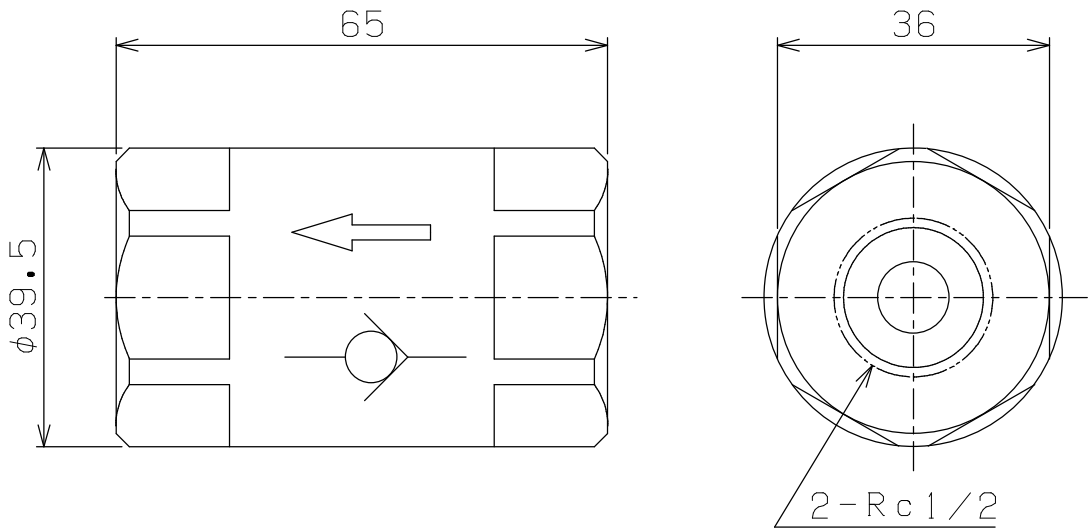
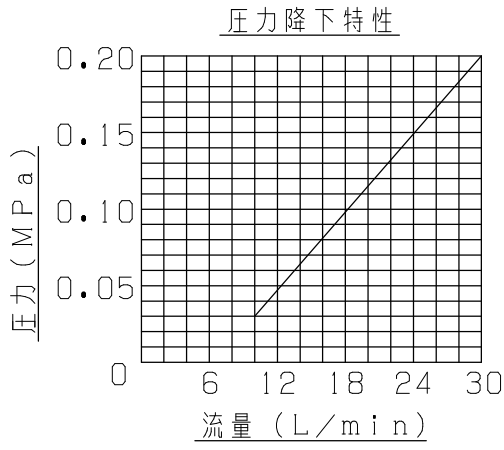


| | | | | | |
|------------|--|--|--|--|-------------|
| COMMON USE | | | | | PLAN RECORD |
| | | | | | |
| | | | | | |



| 主 仕 様 | |
|-----------------|--------------|
| 試 験 圧 力 | 150MPa |
| 最 高 使 用 圧 力 | 120MPa |
| 最 大 流 量 | 30LITER/min. |
| ク ラ ッ キ ン グ 圧 力 | 0.025MPa |
| 使 用 流 体 | 水 (水道水) |
| 総 重 量 | 約0.5kgG |



| | | | | | | | |
|-----------|-----------|------------|----------------------|------------|------|--------|--------|
| 基本仕上 | | | | SUS系 | | | |
| | MARK | PARTICULAR | QUAN | MATERIAL | SIZE | WEIGHT | REMARK |
| 寸法許容差 | C H I E F | | | CV120-30WP | | | |
| 記号 | 区分 | 許容差 | H E A D | | | | |
| 200~400S | 1 ~ 4 | ±0.1 | CHECKED BY | | | | |
| 50~100S | 5 ~ 16 | ±0.2 | DRAWN BY | | | | |
| 12.5~25S | 17 ~ 63 | ±0.3 | DATE DRAWN | | | | |
| 1.6~6.3S | 64 ~ 250 | ±0.5 | SCALE | 1 / 1 | | | |
| 0.05~0.8S | 250~1000 | ±0.8 | DRAWING NO. A4-2067J | | | | |