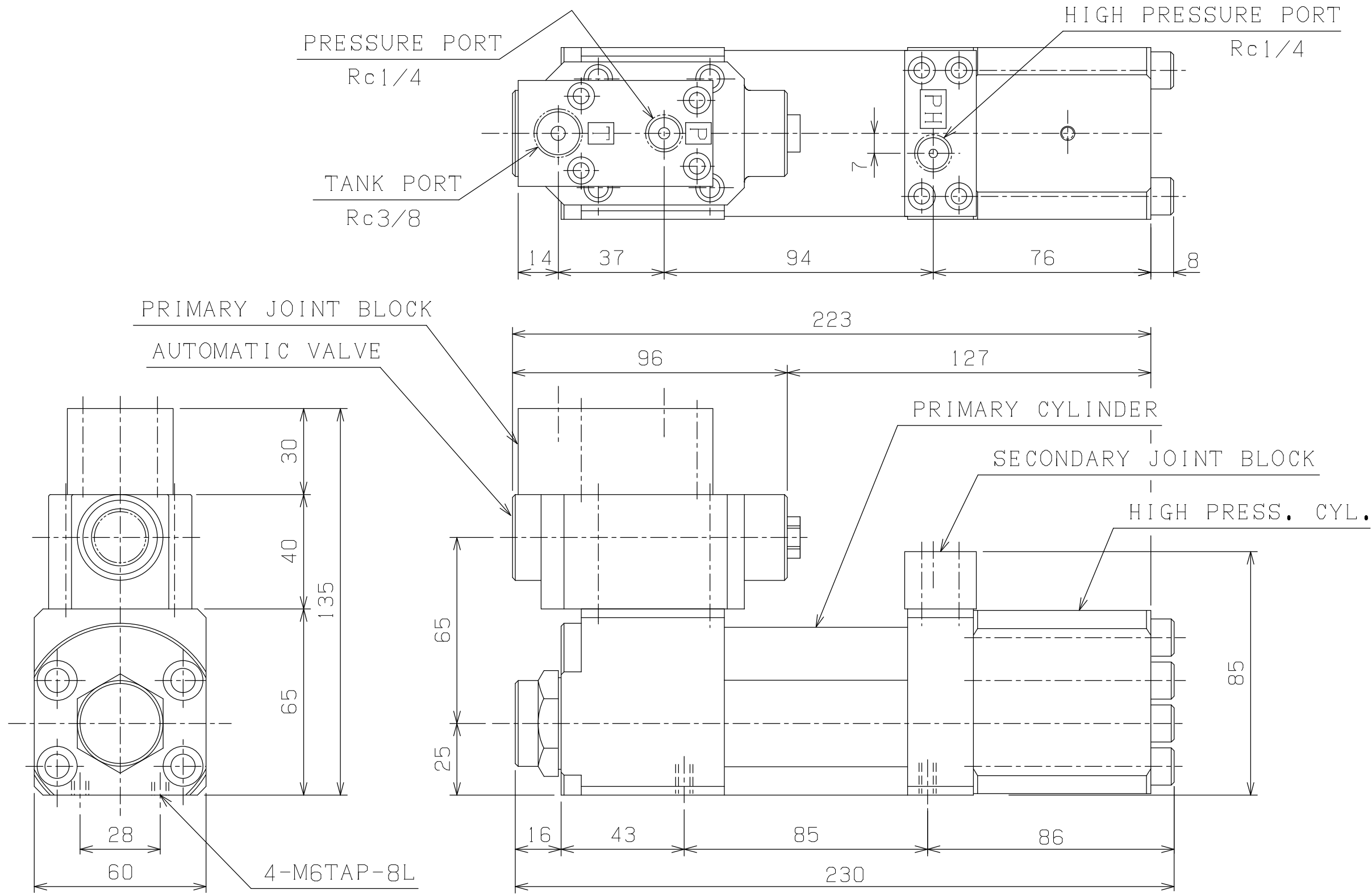


A3-0168E



SPEC	
MAX. SECONDARY PRESS.	70 MPa
MAX. PRIMARY INFLOW	20L/min.
PRESSURE RATIO	1対6
WEIGHT	7 kgG

PLAN RECORD	基本仕上	MARK	PARTICULAR	QUAN	MATERIAL	SIZE	WEIGHT	REMARK
	寸法許容差	C H I E F		HB6-700 (Rc)				
	区分許容差	H E A D		HYDRO BOOSTER				
	1 ~ 4 ±0.1	CHECKED BY		DRAWING NO. A3-0168E				
	5 ~ 16 ±0.2	DRAWN BY						
	17 ~ 63 ±0.3	DATE DRAWN						
	64 ~ 250 ±0.5	SCALE 1 / 1.5						
	250~1000 ±0.8							

**RIX** リックス株式会社 RIX CORPRATION

記号  
400S  
100S  
25S  
6.3S  
0.8S